

---

# TOYOTA HILUX SINGLE CAB



**LEGENDARY  
TOUGHNESS**



Issued on: 2025/11/04

2.7 VVTi RB S 5MT    2.0 VVTi S 5MT    2.0 VVTi S A/C 5MT    2.4 GD S 5MT    2.4 GD S A/C 5MT    2.4 GD-6 RB SR 6MT

Engine and Drivetrain						
Bore x Stroke (mm)	95.0 x 95.0	86.0 x 86.0	86.0 x 86.0	92.0 x 90.0	92.0 x 90.0	92.0 x 90.0
Differential Lock	•		•			
Displacement (cm <sup>3</sup> )	2694	1998	1998	2393	2393	2393
Fuel System	Petrol	Petrol	Petrol	Diesel	Diesel	Diesel
Maximum Power (kW @ r/min)	122 @ 5200	102 @ 5600	102 @ 5600	110 @ 3400	110 @ 3400	110 @ 3400
Maximum Torque (Nm @ r/min)	245 @ 4000	183 @ 4000	183 @ 4000	343 @ 1400-2800	343 @ 1400-2800	400 @ 1600-2000
Number of Cylinders and Arrangement	Inline-4	Inline-4	Inline-4	Inline-4	Inline-4	Inline-4
Engine capacity (litre)	2.7	2.0	2.0	2.4	2.4	2.4

Transmission						
Transmission	Manual-5-speed	Manual-5-speed	Manual-5-speed	Manual-5-speed	Manual-5-speed	Manual-6-speed
Driven Wheels	RWD	RWD	RWD	RWD	RWD	RWD
Starting System	Rotary (Mechanical)	Rotary (Mechanical)	Rotary (Mechanical)	Rotary (Mechanical)	Rotary (Mechanical)	Rotary (Mechanical)

Suspension						
Front	Double Wishbone	Double Wishbone	Double Wishbone	Double Wishbone	Double Wishbone	Double Wishbone
Rear	Leaf-Spring-Rigid-Axle	Leaf-Spring-Rigid-Axle	Leaf-Spring-Rigid-Axle	Leaf-Spring-Rigid-Axle	Leaf-Spring-Rigid-Axle	Leaf-Spring-Rigid-Axle

Wheels and Tyres						
Spare Wheel	Full Steel	Full Steel	Full Steel	Full Steel	Full Steel	Full Steel
Tyre Size	F:225-70-R17C Steel R:225-70-R17C Steel	F:205-70R15C Steel R:205-70R15C Steel	F:205-70R15C Steel R:205-70R15C Steel	F:205-70R15C Steel R:205-70R15C Steel	F:205-70R15C Steel R:205-70R15C Steel	F:225-70R17C Steel R:225-70R17C Steel

Body and Styling						
Door Outside Handles	Black	Black	Black	Black	Black	Black
Front Bumper	Black	Black	Black	Black	Black	Black
Front Fog Lamps						Standard Halogen
Headlights	Halogen	Halogen	Halogen	Halogen	Halogen	Halogen
Headlamp Levelling	Standard Manual	Standard Manual	Standard Manual	Standard Manual	Standard Manual	Standard Manual
High-Mounted Brake Light	Standard LED	Standard LED	Standard LED	Standard LED	Standard LED	Standard LED
Side mirrors	Black Power, With Indicator	Black Power	Black Power	Black Power	Black Power	Black Power
Over-Fenders	Standard Integrated	Standard Integrated	Standard Integrated	Standard Integrated	Standard Integrated	Standard Integrated
Front Grille	Colour	Black	Black	Black	Black	Black
Rear Bumper	Painted					Painted
Rear Lights	Bulb Type	Bulb Type	Bulb Type	Bulb Type	Bulb Type	Bulb Type
Front side Glass	Green	Green	Green	Green	Green	Green

Interior, Comfort and Convenience						
4WD Indicator	•					
4WD Selector	PVC					
Cupholders	•					
Floor Carpet Trim	PVC	PVC	PVC	PVC	PVC	PVC

2.4 GD-6 4X4 SR 6MT

Engine and Drivetrain	
Bore x Stroke (mm)	92.0 x 90.0
Differential Lock	•
Displacement (cm <sup>3</sup> )	2393
Fuel System	Diesel
Maximum Power (kW @ r/min)	110 @ 3400
Maximum Torque (Nm @ r/min)	400 @ 1600-2000
Number of Cylinders and Arrangement	Inline-4
Engine capacity (litre)	2.4

Transmission	
Transmission	Manual-6-speed
Driven Wheels	4WD Part-Time
Starting System	Rotary (Mechanical)

Suspension	
Front	Double Wishbone
Rear	Leaf-Spring-Rigid-Axle

Wheels and Tyres	
Spare Wheel	Full Steel
Tyre Size	F:225-70R17C Steel R:225-70R17C Steel

Body and Styling	
Door Outside Handles	Black
Front Bumper	Black
Front Fog Lamps	Standard Halogen
Headlights	Halogen
Headlamp Levelling	Standard Manual
High-Mounted Brake Light	Standard LED
Side mirrors	Black Power
Over-Fenders	Standard Integrated
Front Grille	Black
Rear Bumper	Painted
Rear Lights	Bulb Type
Front side Glass	Green

Interior, Comfort and Convenience	
4WD Indicator	•
4WD Selector	Standard Switch
Cupholders	•
Floor Carpet Trim	PVC

2.7 VVTi RB S 5MT    2.0 VVTi S 5MT    2.0 VVTi S A/C 5MT    2.4 GD S 5MT    2.4 GD S A/C 5MT    2.4 GD-6 RB SR 6MT

## Interior, Comfort and Convenience

Front Headrest	Integrated	Integrated	Integrated	Integrated	Integrated	Integrated
Rear View Mirror	Day & Night	Day & Night	Day & Night	Day & Night	Day & Night	Day & Night
Key Reminder Warning	•	•	•	•	•	•
Seat Trim	PVC	PVC	PVC	PVC	PVC	PVC
Shift Lever & Knob	Urethane	Urethane	Urethane	Urethane	Urethane	Urethane
Speedometer	Analog Tachometer	Analog Tachometer	Analog Tachometer	Analog Tachometer	Analog Tachometer	Analog Tachometer
Steering Wheel	4 Spoke Urethane	4 Spoke Urethane	4 Spoke Urethane	4 Spoke Urethane	4 Spoke Urethane	4 Spoke Urethane
Front Personal Lamp	•	•	•	•	•	•
Centre Console	Standard Box	Standard Box	Standard Box	Standard Box	Standard Box	Standard Box
Airconditioner	Manual		Manual		Manual	Manual
Front Seat Adjustment	Driver & Passenger Manual	Driver Manual	Driver Manual	Driver Manual	Driver Manual	Driver & Passenger Manual
Light Remind Warning	•	•	•	•	•	•
Power Socket	Front - 12V	Front - 12V	Front - 12V	Front - 12V	Front - 12V	Front - 12V
Power Steering	Hydraulic	Hydraulic	Hydraulic	Hydraulic	Hydraulic	Hydraulic / Variable / Flow / Control
Electric Windows	Front One Touch Driver only	Front	Front	Front	Front	Front One Touch Driver only
Speakers	Standard 2	Standard 2	Standard 2	Standard 2	Standard 2	Standard 2
Steering Column Adjustments	Manual Tilt	Manual Tilt	Manual Tilt	Manual Tilt	Manual Tilt	Manual Tilt
Sun Visor	Standard Ticket Holder Driver	Standard Ticket Holder Driver	Standard Ticket Holder Driver	Standard Ticket Holder Driver	Standard Ticket Holder Driver	Standard Ticket Holder Driver
Toyota Connect Enabled	•	•	•	•	•	•

## Safety and Security

Anti-Theft System	Immobiliser Alarm / Intrusion Sensor	Immobiliser Alarm / Intrusion Sensor	Immobiliser Alarm / Intrusion Sensor	Immobiliser Alarm / Intrusion Sensor	Immobiliser Alarm / Intrusion Sensor	Immobiliser Alarm / Intrusion Sensor
Auto Door Lock	Standard Speed Dependent	Standard Speed Dependent	Standard Speed Dependent	Standard Speed Dependent	Standard Speed Dependent	Standard Speed Dependent
Emergency Brake Signal	•					•
Parking Brake	Lever	Lever	Lever	Lever	Lever	Lever
Front Brake	Ventilated Disc	Ventilated Disc	Ventilated Disc	Ventilated Disc	Ventilated Disc	Ventilated Disc
Front Seat Belts	ELR, Pretensioner, Force Limiter	ELR, Pretensioner, Force Limiter	ELR, Pretensioner, Force Limiter	ELR, Pretensioner, Force Limiter	ELR, Pretensioner, Force Limiter	ELR, Pretensioner, Force Limiter
Power Door Lock	Standard	Standard	Standard	Standard	Standard	Standard
Rear Brake	Drum	Drum	Drum	Drum	Drum	Drum
Seat Belt Warning	Front Buzzer + Light	Front Buzzer + Light	Front Buzzer + Light	Front Buzzer + Light	Front Buzzer + Light	Front Buzzer + Light
Wireless Door Lock	Standard Remote	Standard Remote	Standard Remote	Standard Remote	Standard Remote	Standard Remote
Airbags	Driver, Passenger, Driver Knee	Driver, Passenger, Driver Knee	Driver, Passenger, Driver Knee	Driver, Passenger, Driver Knee	Driver, Passenger, Driver Knee	Side, Curtain, Driver, Passenger, Driver Knee

## Driver Support Systems

Anti-Lock Braking System (ABS)	•	•	•	•	•	•
--------------------------------	---	---	---	---	---	---

2.4 GD-6 4X4 SR 6MT

## Interior, Comfort and Convenience

Front Headrest	Integrated
Rear View Mirror	Day & Night
Key Reminder Warning	•
Seat Trim	PVC
Shift Lever & Knob	Urethane
Speedometer	Analog Tachometer
Steering Wheel	4 Spoke Urethane
Front Personal Lamp	•
Centre Console	Standard Box
Airconditioner	Manual
Front Seat Adjustment	Driver & Passenger Manual
Light Remind Warning	•
Power Socket	Front - 12V
Power Steering	Hydraulic / Variable / Flow / Control
Electric Windows	Front One Touch Driver only
Speakers	Standard 2
Steering Column Adjustments	Manual Tilt
Sun Visor	Standard Ticket Holder Driver
Toyota Connect Enabled	•

## Safety and Security

Anti-Theft System	Immobiliser Alarm / Intrusion Sensor
Auto Door Lock	Standard Speed Dependent
Emergency Brake Signal	•
Parking Brake	Lever
Front Brake	Ventilated Disc
Front Seat Belts	ELR, Pretensioner, Force Limiter
Power Door Lock	Standard
Rear Brake	Drum
Seat Belt Warning	Front Buzzer + Light
Wireless Door Lock	Standard Remote
Airbags	Side, Curtain, Driver, Passenger, Driver Knee

## Driver Support Systems

Anti-Lock Braking System (ABS)	•
--------------------------------	---

2.7 VVTi RB S 5MT    2.0 VVTi S 5MT    2.0 VVTi S A/C 5MT    2.4 GD S 5MT    2.4 GD S A/C 5MT    2.4 GD-6 RB SR 6MT

## Driver Support Systems

Brake Assist (BA)	•	•	•	•	•	•
Electronic Brake Force Distribution (EBD)	•	•	•	•	•	•
Hill Assist Control (HAC)	•					•
Traction Control (TRC)	Standard	Without	Without	Without	Without	Standard
Vehicle Stability Control (VSC)	•					•
Drive Mode Select	Standard Eco / Sport					Standard Eco / Sport
Trailer Sway Control (TSC)	•					•
Limited Slip Differential						•

## Service and Warranty

Service Plan	9 Services / 90,000km	9 Services / 90,000km	9 Services / 90,000km	9 Services / 90,000km	9 Services / 90,000km	9 Services / 90,000km
Service Interval	12 months / 10,000km	12 months / 10,000km	12 months / 10,000km	12 months / 10,000km	12 months / 10,000km	12 months / 10,000km
Warranty	3 years / 100,000km	3 years / 100,000km	3 years / 100,000km	3 years / 100,000km	3 years / 100,000km	3 years / 100,000km

## Dimensions and Capacities

Front Overhang (mm)	990	990	990	990	990	990
Front Tread (mm)	1500	1510	1510	1510	1510	1500
Fuel Tank Size (L)	80	80	80	80	80	80
Gross Combination Mass (GCM)	5210	4200	4200	5280	5280	5500
Gross Vehicle Mass (GVM)	2710	2700	2700	2810	2810	2750
Height (mm)	1795	1690	1690	1690	1690	1795
Length (mm)	5325	5270	5270	5270	5270	5325
Rear Overhang (mm)	1255	1195	1195	1195	1195	1255
Rear Tread (mm)	1510	1510	1510	1510	1510	1510
Towing Capacity - Unbraked (kg)	750	750	750	750	750	750
Towing Capacity - Braked (kg)	2500	1500	1500	2500	2500	2750
Turning circle (tyres, m)	6.3	5.9	5.9	5.9	5.9	6.3
Wheelbase (mm)	3085	3085	3085	3085	3085	3085
Width (mm)	1800	1800	1800	1800	1800	1800
Loadbox (l x w x h) (mm)	2315 x 1575 x 480	2315 x 1575 x 480	2315 x 1575 x 480	2315 x 1575 x 480	2315 x 1575 x 480	2315 x 1575 x 480
Payload (kg)	995	1115	1115	1085	1085	920
Top Speed (km/h)	180	170	170	175	175	175

2.4 GD-6 4X4 SR 6MT

## Driver Support Systems

Brake Assist (BA)	•
Electronic Brake Force Distribution (EBD)	•
Hill Assist Control (HAC)	•
Traction Control (TRC)	Standard
Vehicle Stability Control (VSC)	•
Drive Mode Select	Standard Eco / Sport
Trailer Sway Control (TSC)	•
Limited Slip Differential	•

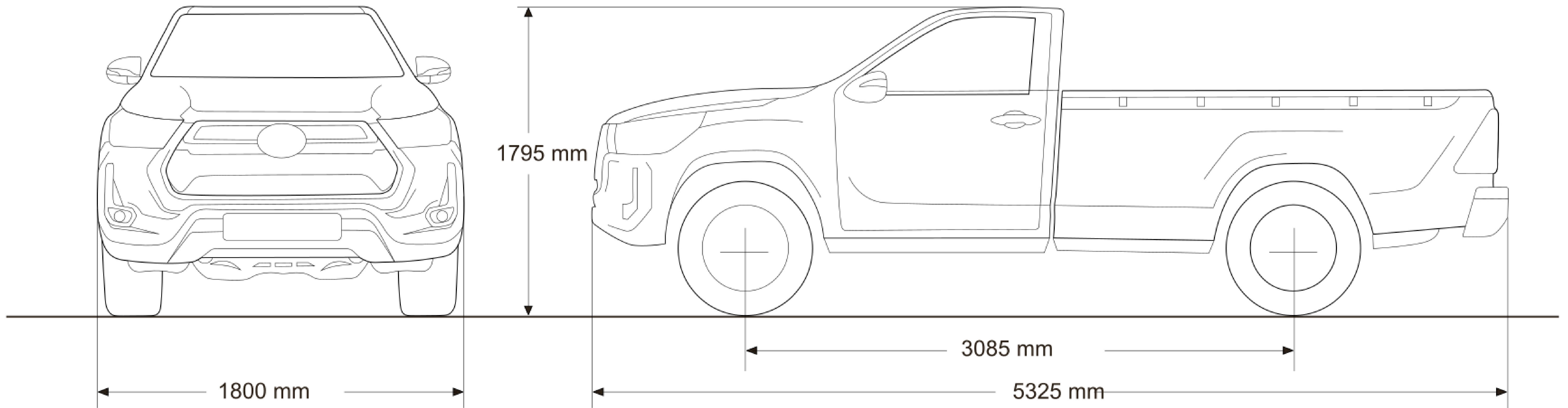
## Service and Warranty

Service Plan	9 Services / 90,000km
Service Interval	12 months / 10,000km
Warranty	3 years / 100,000km

## Dimensions and Capacities

Front Overhang (mm)	990
Front Tread (mm)	1500
Fuel Tank Size (L)	80
Gross Combination Mass (GCM)	5850
Gross Vehicle Mass (GVM)	2870
Height (mm)	1795
Length (mm)	5325
Rear Overhang (mm)	1255
Rear Tread (mm)	1510
Towing Capacity - Unbraked (kg)	750
Towing Capacity - Braked (kg)	3500
Turning circle (tyres, m)	6.3
Wheelbase (mm)	3085
Width (mm)	1800
Loadbox (l x w x h) (mm)	2315 x 1575 x 480
Payload (kg)	860
Top Speed (km/h)	170

LINE DRAWING



## EXTERIOR COLOURS

FOR ILLUSTRATIVE PURPOSES ONLY.

### MONOTONE



040 - Glacier White



1D6 - Chromium Silver



1G3 - Graphite Grey  
Metallic



3T6 - Arizona Red



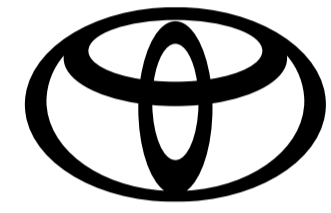
4R8 - Inferno Metallic



6X1 - Oxide Bronze



4E9 - Sand Beige



### Disclaimer:

The information contained within or made available on any Toyota platform or note including but not limited to, this website/brochure/specification sheet, is provided for information purposes only. While we make reasonable efforts to update the information on our platform/s, Toyota Motor Corporation of Japan, and Toyota South Africa Motors (Pty) Ltd makes no representations, warranties, or guarantees, whether express or implied, that the content is accurate, complete or up to date, and all information contained herein is subject to change without notice.

Vehicle specifications may vary depending on the model, trim level, and market. Colours depicted on print and web material may not match the actual vehicle colour. Fuel consumption figures are estimates based on standardised testing conditions and actual results may vary due to (but not limited to) driving style, vehicle loading, tyres, wind, traffic, and accessories. All dimensions, capacities, and performance figures are approximate. Some features/options may be optional or only available on certain models/trim levels. Images and illustrations are for illustrative purposes only and may not reflect the actual vehicle.

Your use of, or reliance on, any information or contents herein is entirely at your own risk. Toyota Motor Corporation of Japan and Toyota South Africa Motors (Pty) Ltd (including its owners, agents, consultants, employees, and any affiliated person(s)) are not responsible for any loss or damages related to your use of, reliance on, or understanding of any information or contents on this or any other Toyota platform. This includes, without limitation, any direct, indirect, special, incidental, consequential, or punitive damages in terms of any contract, delict (breach of a duty of care) or law.

Furthermore, Toyota Motor Corporation of Japan and Toyota South Africa Motors (Pty) Ltd do not guarantee the uninterrupted or error-free operation of any platform or the availability of content, and are not liable for any interruptions, errors, or damages caused by any technical issues or limitations of these platforms, including but not limited to, server downtime, software malfunctions, or internet connectivity issues.

