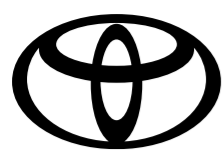

TOYOTA GR COROLLA



BORN TO PERFORM



Issued on: 2025/10/14



SPECIFICATIONS

GR Corolla 1.6T Core

GR Corolla 1.6T Circuit

Engine and Drivetrain		
Bore x Stroke (mm)	87.5x89.7	87.5x89.7
Differential Lock	Front and Rear	Front and Rear Torsen LSD
Fuel System	Petrol D-4ST	Petrol D-4ST
Maximum Power (kW @ r/min)	221 @ 6500	221 @ 6500
Maximum Torque (Nm @ r/min)	370 @ 3000-5550	370 @ 3000-5550
Number of Cylinders and Arrangement	Inline-3	Inline-3
Turbo Charger	.	.
Engine capacity (litre)	1.6	1.6
Exhaust Tailpipe	Rear 3 Tailpipe	Rear 3 Tailpipe
Fuel Consumption (Combined Cycle) (l/100km)	8.4	8.4
C02 Emission (g/km)	191	191

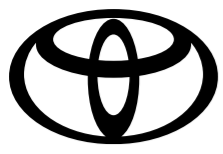
Transmission		
Transmission	Manual-6-speed	Manual-6-speed
Driven Wheels	AWD GR-FOUR	AWD GR-FOUR
Starting System	Push Start + Stop Start	Push Start + Stop Start

Suspension		
Front	MacPherson	MacPherson
Rear	Double-Wishbone	Double-Wishbone

Wheels and Tyres		
Spare Wheel	Without (Repair Kit Included)	Without (Repair Kit Included)
Tyre Size	F:235-40R18 Alloy R:235-40R18 Alloy	F:235-40R18 Alloy R:235-40R18 Alloy

Body and Styling		
Air Spats	.	.
Body Colour	Monotone	Two tone
Daytime Running Light	.	.
Door Outside Handles	Colour - Coded	Colour - Coded
Front Bumper	GR Colour Coded	GR Colour Coded
Front Fog Lamps	.	.
Headlights	Bi-LED Auto High Beam	Bi-LED Auto High Beam
Headlamp Levelling	Standard Manual	Standard Manual
Light Control System	Auto Light Control System	Auto Light Control System
Side Mirrors	Black Power / Auto-Retractable / Heated	Black Power / Auto-Retractable / Heated
Front Grille	GR Black	GR Black (Gloss)
Rear Bumper	GR Colour Coded	GR Colour Coded
Rear Lights	LED	LED

Issued on: 2025/10/14



SPECIFICATIONS

GR Corolla 1.6T Core

GR Corolla 1.6T Circuit

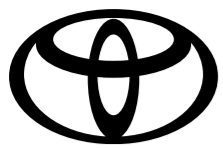
Body and Styling

Rear Fog Lamp	•	•
Front Window Wiper	Intermittent	Intermittent
Side Rocker Panel	Standard GR	Standard GR
Air vents	Standard Front, Fender, Rear	Standard Hood, Front, Fender, Rear

Interior, Comfort and Convenience

Cupholders	Standard 2	Standard 2
Rear View Mirror	Day & Night	Day & Night
Meter Illumination Control	•	•
2nd Row Seats	60:40	60:40
Seat Trim	GR Sport Fabric	GR Sport Synthetic Leather & Suede
Shift Lever & Knob	Leather	Leather
Steering Wheel	3 Spoke Leather	3 Spoke Leather
Front Personal Lamp	Standard LED	Standard LED
Seat Back Pockets		Standard Driver and Passenger
Cruise Control	Standard Adaptive, High Speed	Standard Adaptive, High Speed
Airconditioner	Auto Dual zone	Auto Dual zone
Audio System	Toyota Display Audio, 7-inch	Toyota Display Audio, 7-inch
Reverse Camera	Display Audio	Display Audio
Bluetooth	•	•
Front Seat Adjustment	Driver & Passenger Manual	Driver & Passenger Manual
Front Seat Vertical Adjuster	Driver Manual	Driver Manual
Light Remind Warning	Standard Buzzer & Autocut-off	Standard Buzzer & Autocut-off
Heads Up Display (HUD)		•
Multi-Information Display	Standard Full Digital, 12.3-inch	Standard Full Digital, 12.3-inch
Power Socket	Front - 12V	Front - 12V
Power Steering	Electric / (EPS)	Electric / (EPS)
Electric Windows	All All One Touch	All All One Touch
Rear Armrest	Standard 2 Cupholders	Standard 2 Cupholders
Speakers	Standard 6	Standard 6
Steering Switches	Standard Audio, Telephone, Info Display, Lane Departure Alert, Adaptive Cruise Control	Standard Audio, Telephone, Info Display, Lane Departure Alert, Adaptive Cruise Control
Sun Visor	Standard Lamp, Mirror with Cover	Standard Lamp, Mirror with Cover
Wireless Charger	•	•

Issued on: 2025/10/14



SPECIFICATIONS

GR Corolla 1.6T Core

GR Corolla 1.6T Circuit

Interior, Comfort and Convenience

Android Auto & Apple CarPlay	•	•
Toyota Connect Enabled	•	•
USB Type	Type C 1PC	Type C 1PC
USB	Standard 2	Standard 2

Safety and Security

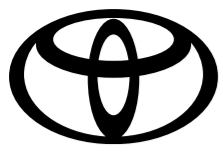
Anti-Theft System	Horn Alarm + Immobiliser	Horn Alarm + Immobiliser
Child Lock	Standard Rear door	Standard Rear door
Child Restraint System (ISOFIX)	Standard 2	Standard 2
Emergency Brake Signal	Standard Hazard lamps	Standard Hazard lamps
Parking Brake	Lever	Lever
Front Brake	Ventilated Disc Red Caliper	Ventilated Disc Red Caliper
Front Seat Belts	Pretensioner, Force Limiter	Pretensioner, Force Limiter
Power Door Lock	Standard	Standard
Pre-Crash System (Brake Synchronised)	•	•
Rear Brake	Ventilated Disc Red Caliper	Ventilated Disc Red Caliper
Rear Seat Belts	Standard ELR, Pretensioner, Force Limiter	Standard ELR, Pretensioner, Force Limiter
Seat Belt Warning	Front + Rear Buzzer + Light	Front + Rear Buzzer + Light
Wireless Door Lock	Standard Smart Entry	Standard Smart Entry
Airbags	Side, Curtain, Driver, Passenger, Driver Knee	Side, Curtain, Driver, Passenger, Driver Knee
Toyota Safety Sense	•	•

Driver Support Systems

Park Distance Control	Standard Front + Rear	Standard Front + Rear
Anti-Lock Braking System (ABS)	•	•
Brake Assist (BA)	•	•
Electronic Brake Force Distribution (EBD)	•	•
Hill Assist Control (HAC)	•	•
Vehicle Stability Control (VSC)	•	•
Drive Mode Select	•	•
Lane Keeping System	Standard Lane Trace Assist	Standard Lane Trace Assist
Limited Slip Differential		•
Torque Distribution Setting	FR/RR 60:40, 30:70, 50:50	FR/RR 60:40, 30:70, 50:50

Service and Warranty

Service Plan	9 Services / 90,000km	9 Services / 90,000km
Service Interval	12 months / 10,000km	12 months / 10,000km



SPECIFICATIONS

GR Corolla 1.6T Core

GR Corolla 1.6T Circuit

Service and Warranty

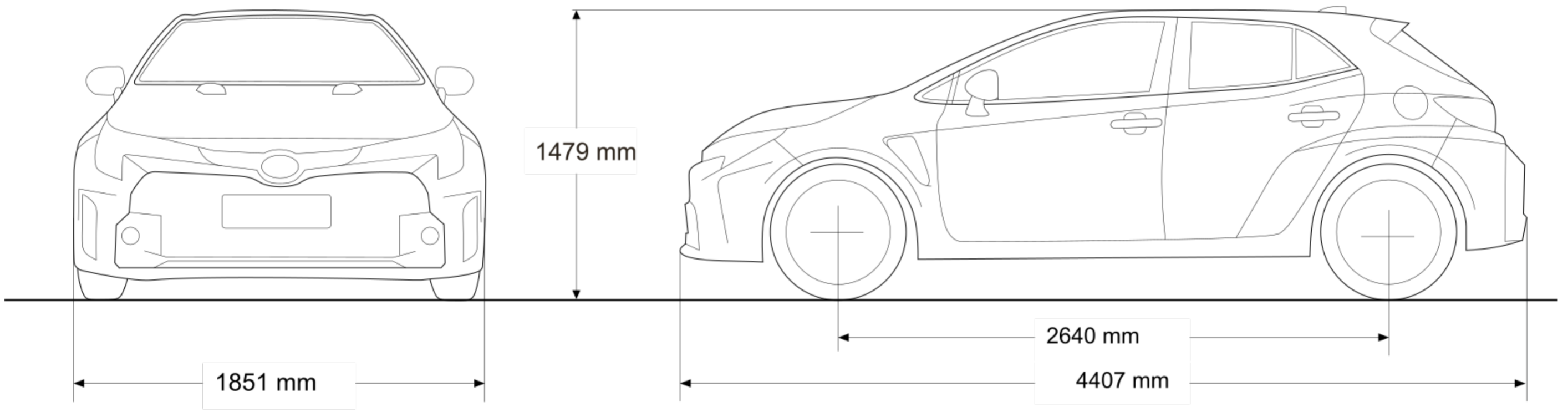
Warranty	3 years / 100,000km	3 years / 100,000km
----------	---------------------	---------------------

Dimensions and Capacities

Front Overhang (mm)	942	942
Front Tread (mm)	1589	1589
Fuel Tank Size (L)	50	50
Ground Clearance (mm)	120	120
Gross Vehicle Mass (GVM)	1915	1915
Height (mm)	1479	1479
Length (mm)	4407	4407
Luggage Capacity (L)	213	213
Rear Overhang (mm)	825	825
Rear Tread (mm)	1624	1624
Towing Capacity - Unbraked (kg)	0	0
Towing Capacity - Braked (kg)	0	0
Wheelbase (mm)	2640	2640
Width (mm)	1851	1851
Top Speed (km/h)	230	230

Issued on: 2025/10/14

LINE DRAWING



EXTERIOR COLOURS

FOR ILLUSTRATIVE PURPOSES ONLY.

MONOTONE

040 - Glacier White



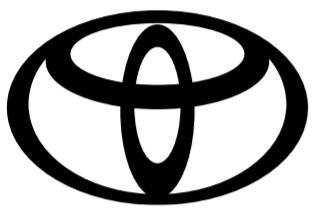
202 - Raven Black



3U5 - Fierce Red



1L5 - Midnight Grey

**Disclaimer:**

The information contained within or made available on any Toyota platform or note including but not limited to, this website/brochure/specification sheet, is provided for information purposes only. While we make reasonable efforts to update the information on our platform/s, Toyota Motor Corporation of Japan, and Toyota South Africa Motors (Pty) Ltd makes no representations, warranties, or guarantees, whether express or implied, that the content is accurate, complete or up to date, and all information contained herein is subject to change without notice.

Vehicle specifications may vary depending on the model, trim level, and market. Colours depicted on print and web material may not match the actual vehicle colour. Fuel consumption figures are estimates based on standardised testing conditions and actual results may vary due to (but not limited to) driving style, vehicle loading, tyres, wind, traffic, and accessories. All dimensions, capacities, and performance figures are approximate. Some features/options may be optional or only available on certain models/trim levels. Images and illustrations are for illustrative purposes only and may not reflect the actual vehicle.

Your use of, or reliance on, any information or contents herein is entirely at your own risk. Toyota Motor Corporation of Japan and Toyota South Africa Motors (Pty) Ltd (including its owners, agents, consultants, employees, and any affiliated person(s)) are not responsible for any loss or damages related to your use of, reliance on, or understanding of any information or contents on this or any other Toyota platform. This includes, without limitation, any direct, indirect, special, incidental, consequential, or punitive damages in terms of any contract, delict (breach of a duty of care) or law.

Furthermore, Toyota Motor Corporation of Japan and Toyota South Africa Motors (Pty) Ltd do not guarantee the uninterrupted or error-free operation of any platform or the availability of content, and are not liable for any interruptions, errors, or damages caused by any technical issues or limitations of these platforms, including but not limited to, server downtime, software malfunctions, or internet connectivity issues.

